

Specification

Compression Type	Scroll Compressor	Refrigerant	R410A
Speed	Fixed	Power Source	208-230V / 60Hz
Application1	Air conditioning - Unitary	Application2	
Application3		Application4	
Application5			

Performance

Capacity[BTU/HR]	30,500	Input [Watts]	3020
EER[BTU/W.HR]	10.10	Noise [dB]	69
Vibration [um]	30	RPM	

Mechanical

Displacement [cm3 / rev]	29.04	Weight [kg]	24.9 kg
Compressor Cooling			

Electrical

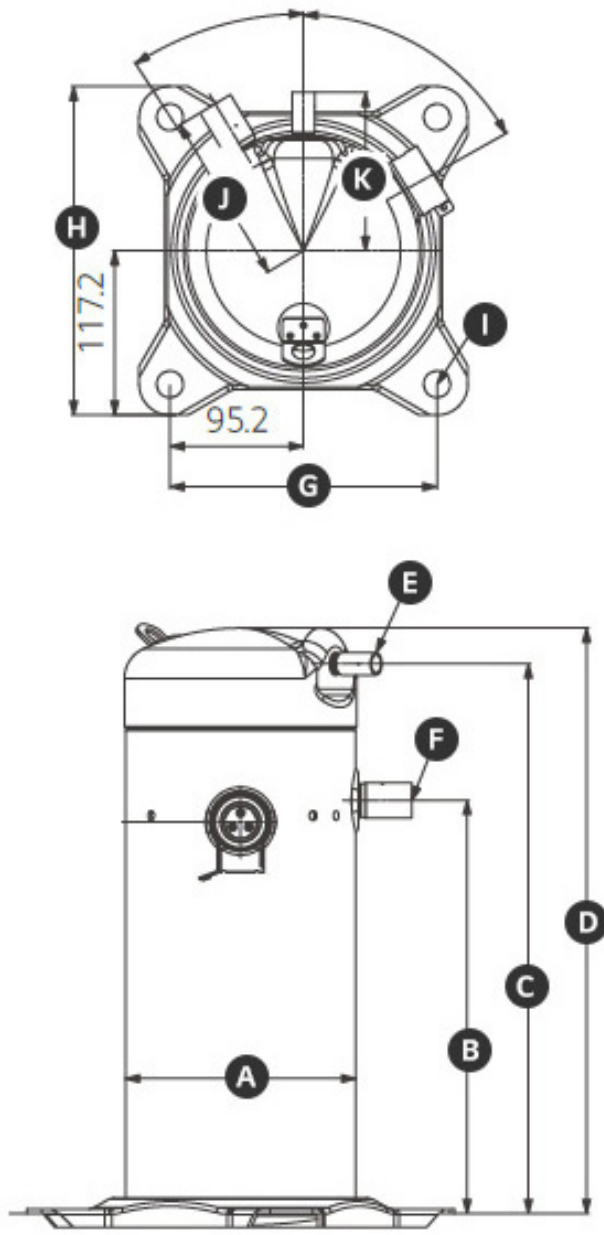
Starting Capacitor [MFD/VAC]		Running Current	
Protection Type	Internal OLP	Max Continuous Current [A]	23.8
Lock Rotor Ampere [A]	70	Running Capacitor [MFD/VAC]	40/440
Rated Revolution		Max Continuous Ampere	
Max Operation Current		OLP	
Capacitor		Motor Type	
Starting Torque			

Test Condition	ARI		
Evaporating Temperature[°C]		Condensing Temperature[°C]	
Subcooled Temperature[°C]		Superheated Temperature[°C]	
Ambient Temperature[°C]			°

Standard	UL		
----------	----	--	--

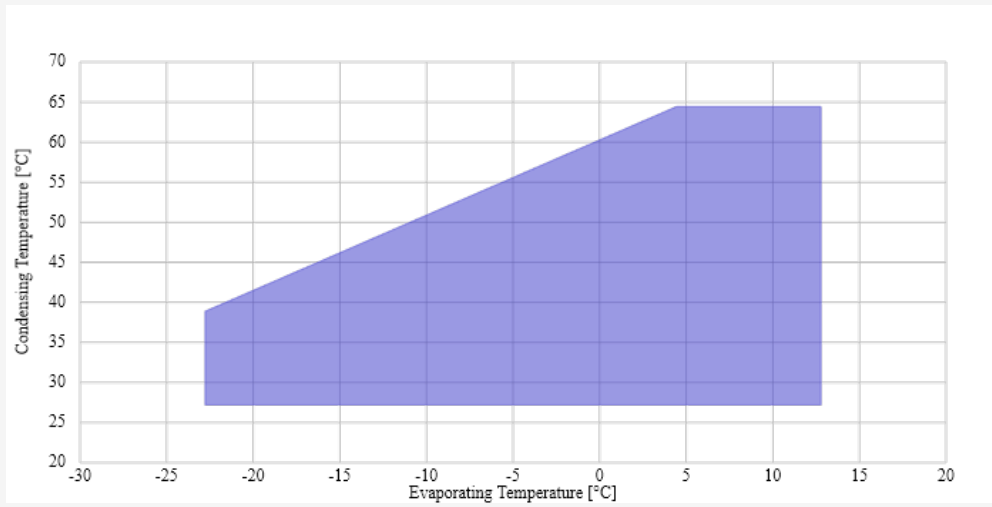
Performance

Drawing



A(∅)	145.4
B(mm)	300
C(mm)	418
D(mm)	444
E(I.D ∅)	12.7-12.9
F(I.D ∅)	19.13-19.3
G(mm)	190.5
H(mm)	234.5
I(∅)	19

Operation Envelop



R410A