

Hef-T-Bracket

PRODUCT

230-B2M, 230-B2L

PURPOSE

The DiversiTech Hef-T-Bracket is used for supporting condensing units.

FEATURES

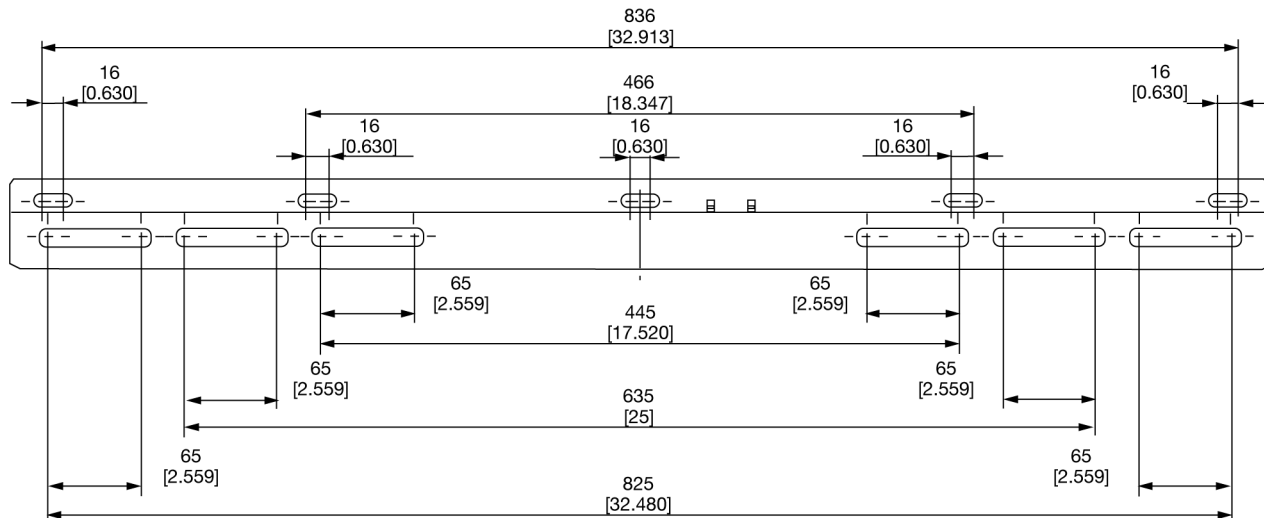
- 16 GA powder-coated steel
- Cross bar with pre-drilled slots for mounting to walls with studs at 12 in. or 16 in. on center
- L-shaped brackets with adjustable hook that allows crossbar to be installed at different angles to adapt to sloped walls
- Assembly hardware for installation



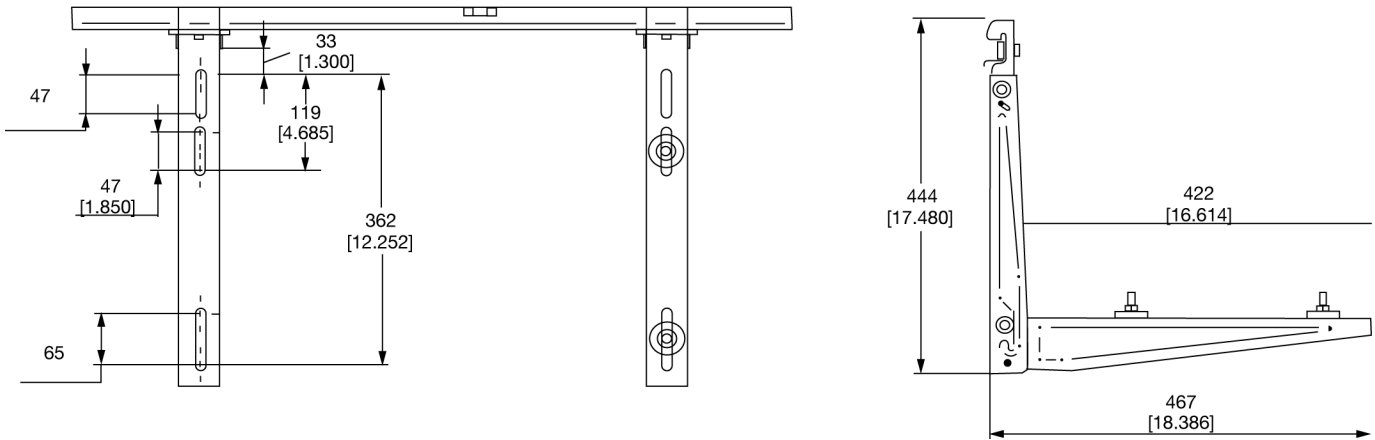
GENERAL SPECIFICATIONS

- Amount per box: 1 EA
- Maximum mounting width: 37.8 in.
- 500 lb. holding capacity
- Arm length: 17.72 in. (230-B2M) | 20.87 in (230-B2L)

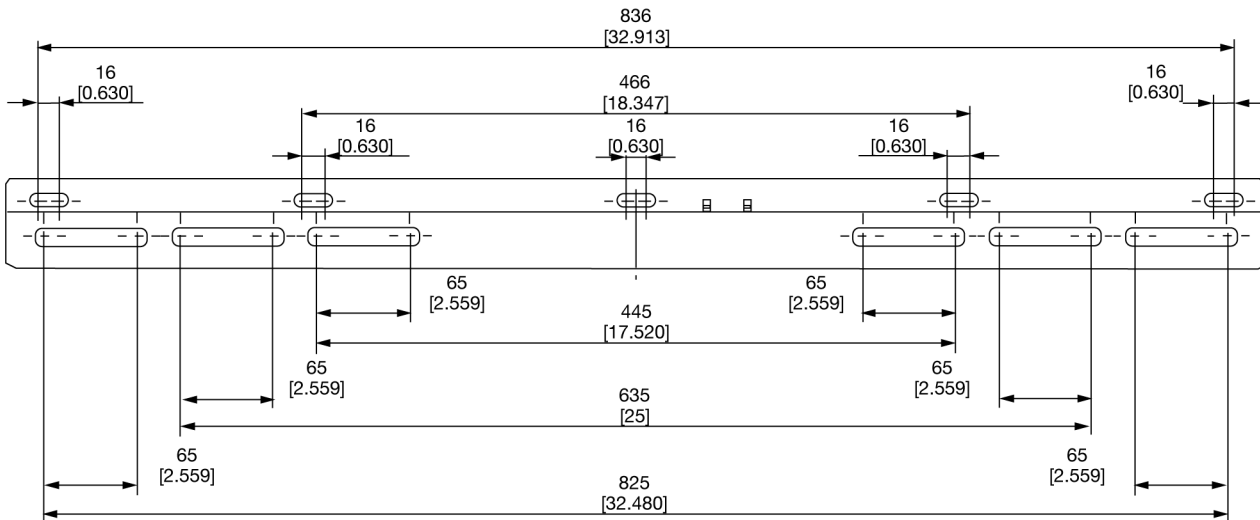
230-B2M - DIAGRAM



230-B2M - ARM SLOT DETAIL



230-B2L - DIAGRAM



230-B2L - ARM SLOT DETAIL

